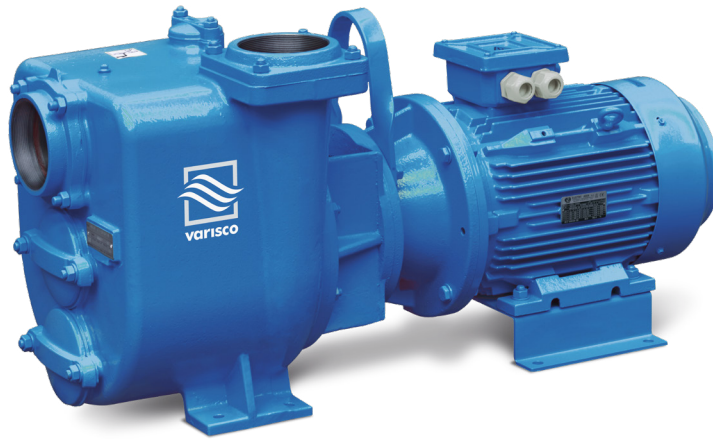


JE 4-220 G11 FT40



Electric - Qmax 150 m³/h - 2500 l/min (660 USgpm) - Hmax 14 m (46 ft)

Code 8381061023



Product Data

Suction port	Threaded - 4" ISO 228 (BSP)
Delivery port	Threaded - 4" ISO 228 (BSP)
Qmax	150 m³/h - 2500 l/min (660 USgpm)
Hmax	14 m (46 ft)
Solids handling	45 mm (1,78")
Motor power	5,5 kW - 7,5 HP
Motor brand	WEG W22 Premium
Weight	160 kg (352 lb)

Indicative picture of the product

Close-coupled self-priming centrifugal pump with electric motor

Characteristics

The J series self-priming centrifugal pumps are used in applications where a rapid priming capacity is required from demanding suction heights combined with the ability to transfer and manage polluted fluids, dirty and abrasives with suspended large diameter solids. The system is based on an inspectable pump casing which also acts as a water tank allowing a first quick priming without auxiliary systems, simplifying management of the system and reducing the time for maintenance. Within the physically permitted suction height limits, J pumps are a more comfortable and reliable solution than submersible pumps and vertical submersed impeller pumps.

Benefits

- 1) Rapid self-priming**
Without foot valve up to a height of 7.5 m (24.5 ft)
- 2) High resistance**
To abrasive liquids which are turbid and sandy
- 3) Semi-open impeller**
High thickness casting impact resistant
- 4) Wear plate/plates**
Easily replaceable cast iron wear plate/plates
- 5) Easy maintenance**
Removable front cover for direct access to the impeller

Applications

Industry:

clean, dirty, sandy, muddy, neutral, alkaline, acidic liquids; low viscous petroleum products, solvents even if dirty; milk of lime, caustic soda; washing, cooling, recirculation, smoke scrubbing.

Treatment:

pumping polluted corrosive wastewater containing sand, mud or solids in suspension; dosing neutralizing liquids; pumping out settled sludge.

Naval:

loading and unloading; bilge pumping; washing, fire-fighting, stripping, sanitary duty and circulation.

Agriculture:

surface irrigation; liquid manure oxygenation; transfer and spraying liquid manure or fertilizers; distribution of liquid animal feed; transfer of wine must; washing.

Varisco S.r.l. has certified its Quality, Environment and Safety Management System in accordance with the requirements of the international standard ISO 9001-14001-45001, recognized by the Lloyd Register.

Specification is subject to change without prior notice. Please check with your Varisco representative for the latest specifications.
Document release date: May 30th 2024

www.variscopumps.com

JE 4-220 G11 FT40

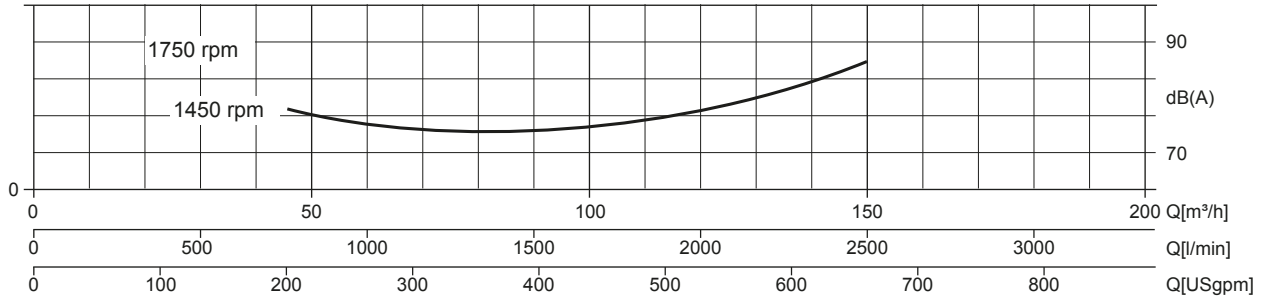


PERFORMANCE CURVES

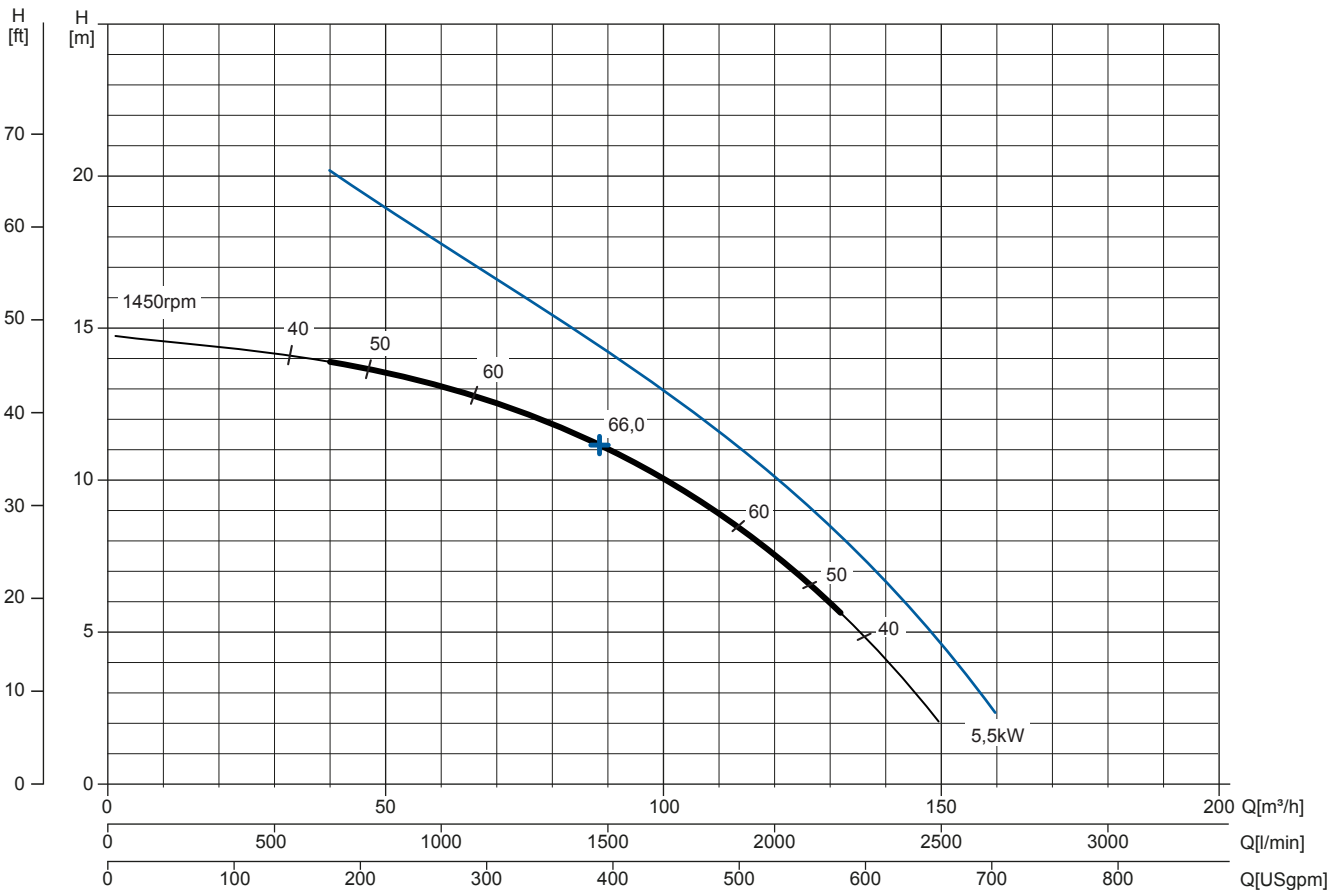
Test according to **UNI EN ISO 9906 standard - level 2B** Installed power: **5,5 kW - 7,5 HP (1.450 rpm)**
 Test liquid: **clean water, density 1.000 kg/m³**
 Spherical solids handling: **D.45 mm (1,78")**

Noise Curve

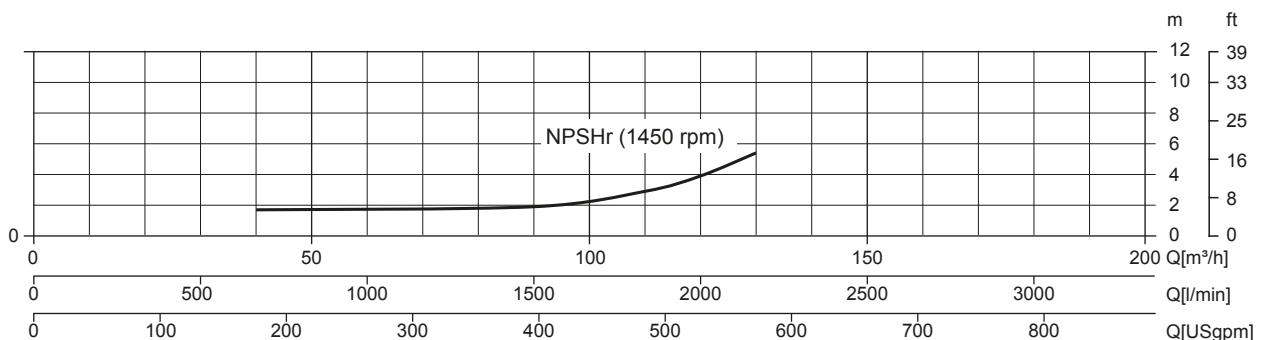
dB(A)=max noise level at 1 m



Speed Curve



NPSHr Curve



JE 4-220 G11 FT40



TECHNICAL DATA

Pump

Pump model	JE 4-220 G11 FT40
Qmax [1.450 rpm]	150 m³/h - 2500 l/min (660 USgpm)
Hmax [1.450 rpm]	14 m (46 ft)
Suction port	Threaded - 4" ISO 228 (BSP)
Delivery port	Threaded - 4" ISO 228 (BSP)
Impeller type	Semi-open, 3 vanes
Solids handling	45 mm (1,78")
Casing	EN 1561 EN-GJL-200 cast iron
Impeller	EN 1563 EN-GJS-500 cast iron
Wear plate	EN 1561 EN-GJL-200 cast iron
Non-return valve	check-valve, NBR
Shaft	39NiCrMo3 EN 10083 carbon steel
Mechanical seal	Silicon carbide / Silicon carbide
Elastomers	NBR
Lubrication	Grease
Bearing bracket	EN 1561 EN-GJL-200 cast iron, with grease lubricated ball bearings for life

Motor

Mains supply (Three-phase)	380 VD/660 VY	400 VD/690 VY	415 VD/720 VY
Frequency (Nominal speed)		50 Hz / 1.450 rpm	
Absorbed current	10,8/6,24 A	10,5/6,11 A	10,4/6 A
Starting Current Is/In	7.5	8.3	8.8
Efficiency (100%)	89,6% (IE3)	89,7% (IE3)	89,8% (IE3)
Model		WEG W22 Premium	
Standards		IEC 60034-1	
Construction		Cast iron, TEFC	
Mounting arrangement		IM 2001 B35	
No. poles		4	
Rated power		5,5 kW - 7,5 HP	
Degree of protection		IP55	
Markings		CE, UL, CSA, EAC	
Insulation class/Temperature		F/80°K	
Duty type		Continuous - S1 Variable - suitable for inverter use (30-50 Hz)	
Temperature sensors		PTC, available as option	

Arrangement

Dimensions	973 x 421 x 487 mm (38 x 16 x 19")
Coating	Polyurethane enamel, average thickness of 100 µm
Color	RAL 5010 blue (standard)
Features	Close-coupling bell housing with double ball bearing
Height connection	0,36 m (1,2 ft)

Optionals

Flanged ports DN100 PN16 EN1092-2 Type B	code 10042352
Flanged ports 4" ANSI B16.1 Class 125 R.F.	code 10042820
Automatic mechanical seal greaser	code 10008316
Integrated VSD motor inverter	Available on request

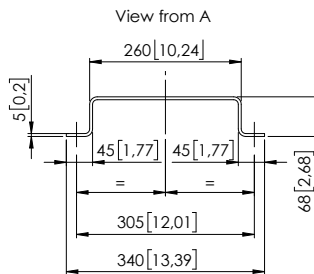
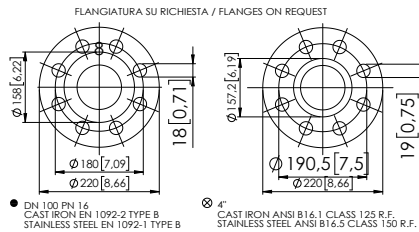
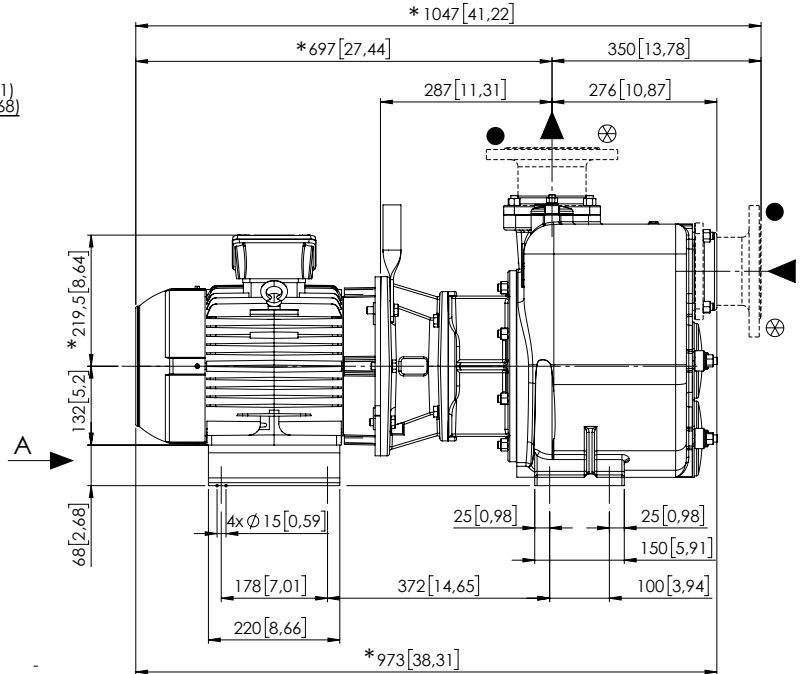
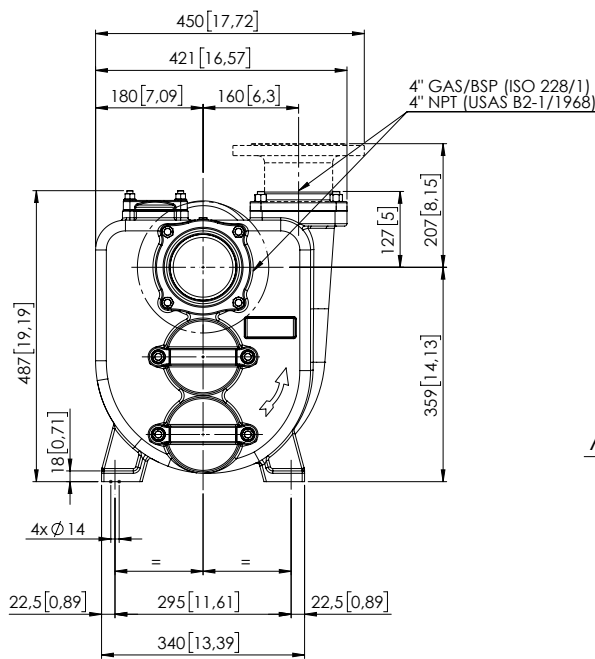
Weight

Net weight	160 kg (352 lb)
------------	-----------------

JE 4-220 G11 FT40

DIMENSIONS

mm [in]



Notes/Note:

- Dimensions in square bracket are inches
- * Le dimensioni riportate tra parentesi quadre sono espresse in pollici
- Approximate dimension: it may change with engine supplier
- * Dimensione indicativa: potrebbe variare in funzione della marca motore

PACKAGING DIMENSIONS

Dimensions

JE 4-220 G11 FT40 (L x W x H mm)

973 x 421 x 487 mm (38 x 16 x 19")

Gross weight (pump + packing)

180 kg (396 lb)

